

TSP-REM360 Redundancy Module

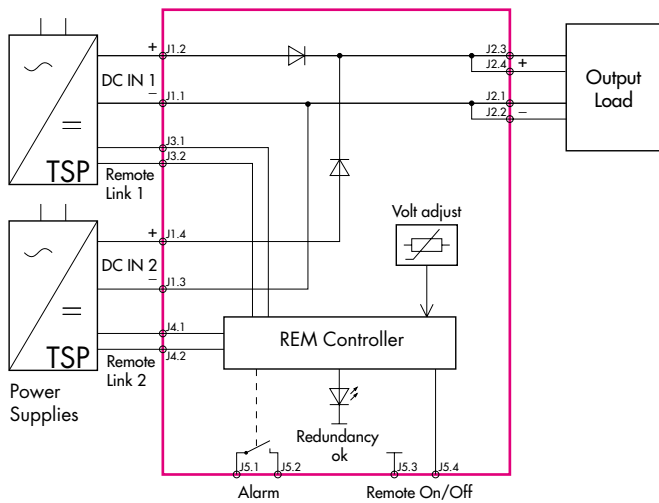
With this module and two power supplies of the TSP series (of same type) a highly reliable, truly redundant power system can be configured without any additional components. This module enforces the equivalent sharing of the output current by each power supply. The system is fully redundant and provides output power even if one power supply has completely failed e.g. by short circuit on the output. In the event of either power supply failing or being disconnected, the second unit will automatically supply the full current to the load. The redundancy of the system is monitored and if lost, indicated by an alarm output. The inputs are hot swappable and can be loaded up to 15 A each.



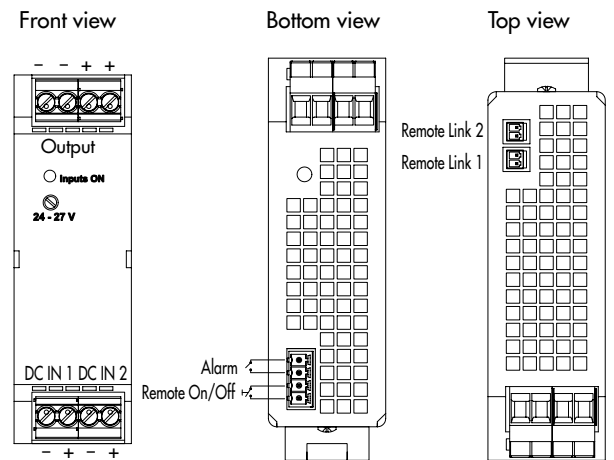
Models

Order Code (includes terminal plugs)	Input	Max Power per Input	Output Voltage adjust.	Output Power max.
TSP-REM360	2 x 24 VDC	2 x 360 W	24 VDC (24–27 VDC)	360 W
TSP-REM600	2 x Control input	2 x 600 W		600 W

Function Diagram



Connector Positions

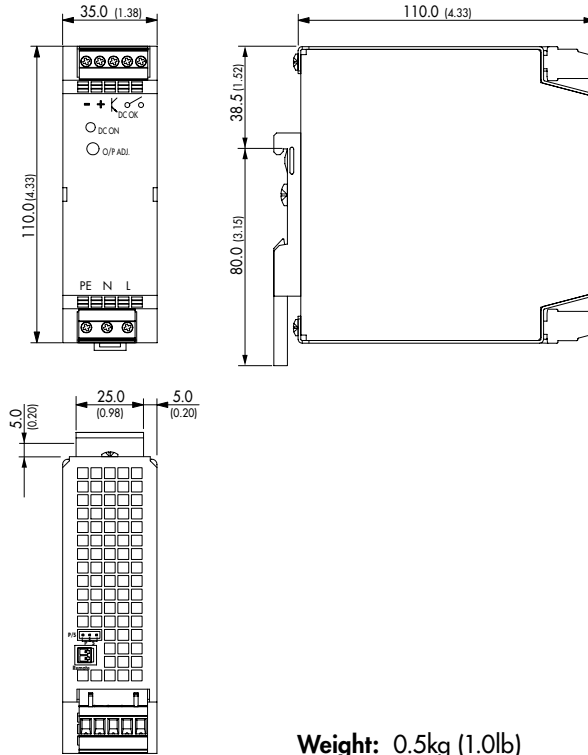


Specifications

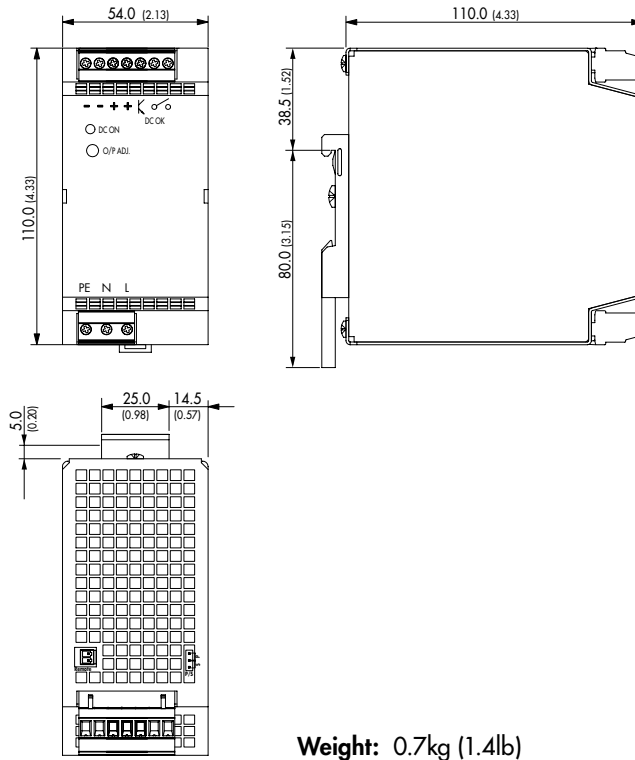
Operating temperature	– 25 °C to 70 °C max. (–13 °F...+158 °F) derating above 40 °C (104 °F): 1.5 %/K
Electromagnetic compatibility	in correspondence to connected units (no internal switching device)
Redundancy OK signal (Alarm)	trigger threshold at 18...22VDC, contact open if both inputs failed
Dimensions	see page 10
Remote link cable (0.5m)	2 cables included with TSP-REM360 module
Remote On/Off	by ext. contact: contact open = On, contact closed = Off
Installation instructions	www.tracopower.com/products/tsp-rem_inst.pdf

Outline Dimensions

Models:
TSP 070/090
TSP-REM360
TSP-BCM24



Models:
TSP 140/180
TSP-REM600
TSP-BCM24H
TSP-BFM24



Dimensions in [mm], () = inch
Tolerances: ±0.5 mm (±0.02)