

TRG150A

S E R I E S

150W SWITCHING ADAPTER WITH PFC



Features

- Universal Input Range: 90-264VAC
- Active PFC Meets EN61000-3-2
- Conductive EMI Meets CISPR/FCC Class B
- Continuous Short Circuit Protection
- Over Voltage Protection
- Meet CEC & ErP Level V (Output Cable Length \leq 1800mm)
(TRG150A120: Output Cable Length \leq 950mm)
(TRG150A150~190: Output Cable Length \leq 1220mm)
(TRG150A240~480: Output Cable Length \leq 1800mm)

Ordering information

TRG150A	XX	X	XX
Model No.	DC Plug Type * Please see Page215 for more detailed descriptions	OVP E: With OVP	DC Cable Length and Type 471: 950mm with Ferrite Core 510: 950mm with Ferrite Core 12: 1220mm with Ferrite Core 13: 1800mm with Ferrite Core *471: 18AWG/UL2464 510&12&13: 16AWG/UL2464

MODEL	OUTPUT VOLTAGE	MIN. LOAD	OUTPUT CURRENT	RIPPLE & NOISE	VOLTAGE SETPOINT	LINE REGULATION	LOAD REGULATION	%EFF. (Typ.)
TRG150A120	12V	0 A	12.50A	2%	\pm 2.5%	\pm 1%	\pm 5%	87%
TRG150A150	15V	0 A	10.00A	2%	\pm 2.5%	\pm 1%	\pm 5%	87%
TRG150A180	18V	0 A	8.34A	2%	\pm 2.5%	\pm 1%	\pm 5%	87%
TRG150A190	19V	0 A	7.90A	2%	\pm 2.5%	\pm 1%	\pm 5%	87%
TRG150A240	24V	0 A	6.25A	2%	\pm 2.5%	\pm 1%	\pm 5%	87%
TRG150A280	28V	0 A	5.36A	2%	\pm 2.5%	\pm 1%	\pm 5%	87%
TRG150A300	30V	0 A	5.00A	2%	\pm 2.5%	\pm 1%	\pm 5%	87%
TRG150A360	36V	0 A	4.17A	2%	\pm 2.5%	\pm 1%	\pm 5%	87%
TRG150A480	48V	0 A	3.13A	2%	\pm 2.5%	\pm 1%	\pm 5%	87%

Specifications

INPUT SPECIFICATIONS:

Voltage 90-264Vac
 Frequency 47 to 63Hz
 Inrush Current 120A max. @240Vac
 Conducted EMI CISPR/FCC Class B
 Leakage Current 3.5mA max.

OUTPUT SPECIFICATIONS:

Holdup Time 8ms typ. @115Vac
 Short Circuit Protection Continuous
 Over Voltage Protection Yes

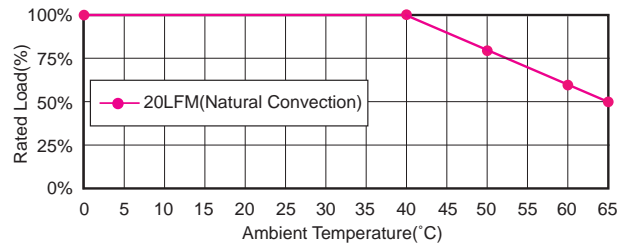
GENERAL SPECIFICATIONS:

Isolation Input to output = 4,242VDC
 Operating Temperature 0 ~ 65 °C, 40-65 °C with 2%/ °C Derating
 Storage Temperature -20-85 °C
 Cooling Natural Convection
 Switching Frequency 67KHz Typical
 Dimensions 7.087x2.913x1.614 inches (180.00x74.00x41.00 mm)
 Weight 950g(2.1Pounds)
 AC Inlet IEC320/C14

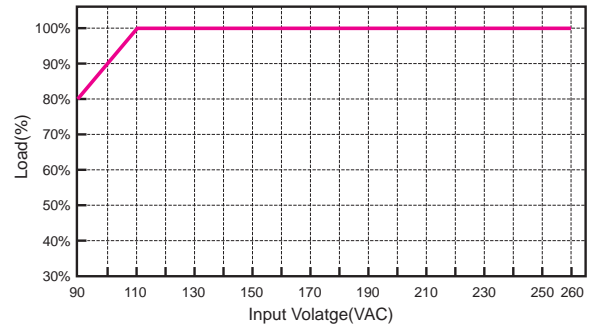
SAFETY AND EMC:

Emission and Immunity EN55022 Class B, FCC Part 15 Class B
 EN61000-3-2, EN61000-3-3, EN55024
 EN61204-3
 Safety EC60950-1, EN60950-1, UL60950-1

TRG150A Series Derating Curve



Low Voltage Wattage Derating Curve



NOTE:

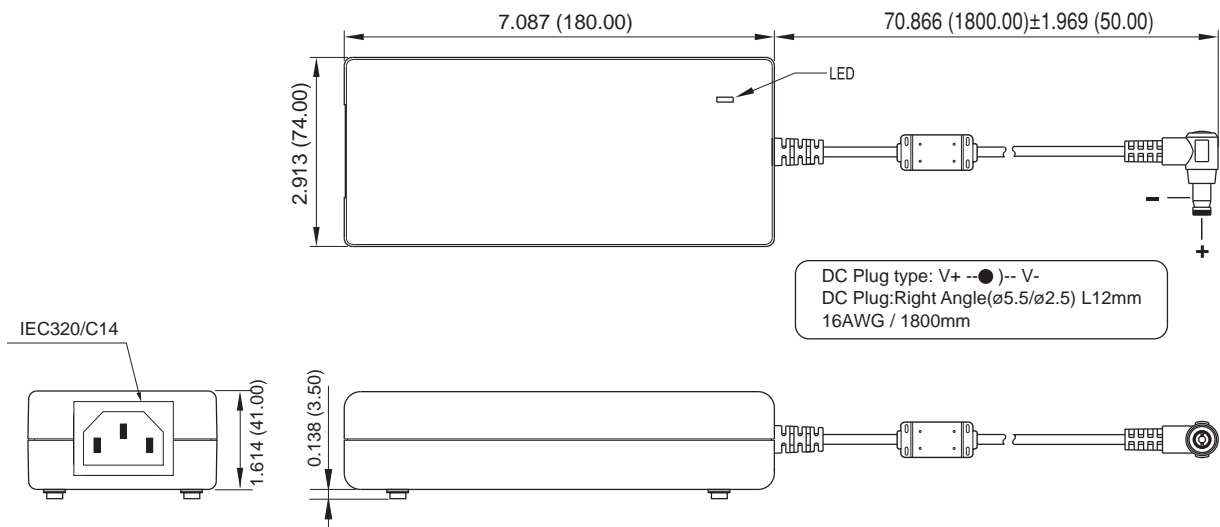
1. Voltage setpoint at 60% full load
2. Add a 0.1µF ceramic capacitor and a 47µF E.L. capacitor to output for Ripple & Noise measurement @20MHz BW.
3. Line regulation measured from 100Vac to 240Vac with full load.
4. Load regulation measured from 60% to 100% full load and from 60% to 20% full load (60% +/- 40% full load)
5. *Various TRG Series adapters are PSE certified. PSE certification alone is not sufficient for importation into Japan. A valid PSE mark must contain the name of the importer as shown in the example below. If PSE mark is required, the name of the registered importer must be supplied to Cincon on order placement. Product labels will not contain PSE mark if importer name is not supplied. Consult factory or local representative for details"



TRG150A

Mechanical Specification

All Dimensions In Inches(mm)
 Tolerance Inches: x.xxx= ±0.02
 Millimeters: x.xx= ±0.5



Typical at 25 °C, nominal line and 60% load, unless otherwise Specified