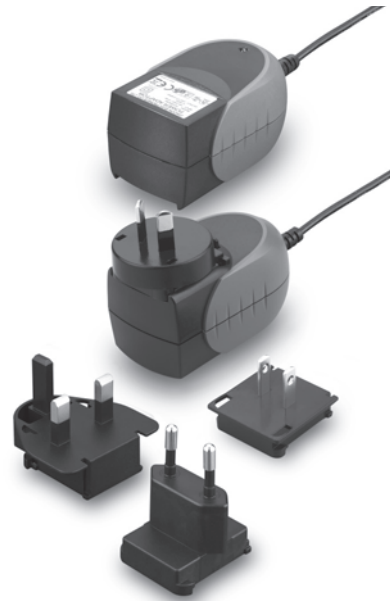


TRISRA

S E R I E S

15W SWITCHING ADAPTER



Features

- Universal Input Range 90-264VAC
- Meets EN55022 Class B
- Continuous Short Circuit Protection
- Interchangeable AC Plugs
- Over Voltage Protection
- Meet CEC & ErP Level V (Output Cable Length \leq 1800mm)

Ordering information

TR15RAXXX	XX	E	XX	XX	BK
Model No.	DC Plug Type	DC Cable Length and Type	Color of Overmold Case		
* Please see Page215 for more detailed descriptions					
		01 : 720mm	BE : Blue		
		02 : 1220mm	GY : Gray		
		03 : 1800mm	RD : Red		
		11 : 720mm with Ferrite Core	PE : Purple		
		12 : 1220mm with Ferrite Core	OR : Orange		
		13 : 1800mm with Ferrite Core			
		* 18AWG / UL1185			

MODEL	OUTPUT VOLTAGE	MAX. LOAD	MIN. LOAD	RIPPLE & NOISE	VOLTAGE ACCURACY	LINE REGULATION	LOAD REGULATION	%EFF. (Typ.)
TR15RA050	5V	2.0A	0 A	1%	\pm 3%	\pm 1%	\pm 4%	73%
TR15RA060	6V	1.7A	0 A	1%	\pm 2%	\pm 1%	\pm 3%	74%
TR15RA090	9V	1.4A	0 A	1%	\pm 2%	\pm 1%	\pm 2%	77%
TR15RA120	12V	1.1A	0 A	1%	\pm 2%	\pm 1%	\pm 2%	78%
TR15RA150	15 V	1.0A	0 A	1%	\pm 2%	\pm 1%	\pm 2%	79%
TR15RA180	18V	830mA	0 A	1%	\pm 2%	\pm 1%	\pm 2%	79%
TR15RA240	24V	625mA	0 A	1%	\pm 2%	\pm 1%	\pm 2%	80%

Specifications

INPUT SPECIFICATIONS:

Voltage 90-264Vac
 Frequency 47 to 63Hz
 Inrush Current 50A max. @240Vac
 Leakage Current 0.25mA max.

OUTPUT SPECIFICATIONS:

Holdup Time 10ms typ. @115Vac
 Short Circuit Protection Continuous(Auto Recovery)
 Over Voltage ProtectionTVS Component to Clamp
 Temperature Coefficient ±0.05%/°C

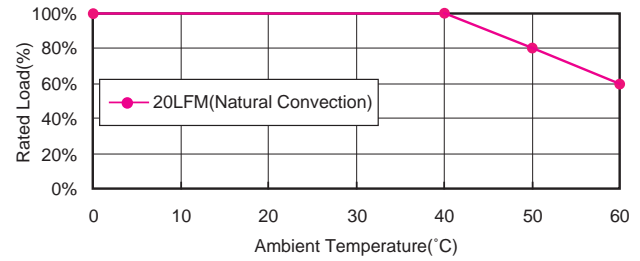
GENERAL SPECIFICATIONS:

Isolation Input to output = 4,242VDC
 Operating Temperature 0 - 60°C (see derating curve)
 Storage Temperature -20 - 85°C
 Humidity 93% RH max. Non condensing
 Cooling Natural Convection
 Switching Frequency 80KHz Typical
 MTBF MIL-HDBK-217F, GB, at 25°C/115VAC 200K hrs min.
 Altitude 2000m
 Dimensions 3.173x1.885x1.705Inches (80.60x47.90x43.30mm)
 Weight 150g(0.33 Pounds)

SAFETY AND EMC:

Emission and Immunity EN55022 Class B, EN61000-6-3
 EN61000-3-2, EN61000-3-3, EN55024, EN61204-3 , EN61000-6-1
 Safety IEC60950-1, EN60950-1 , UL60950-1

TR15RA Series Derating Curve



NOTE:

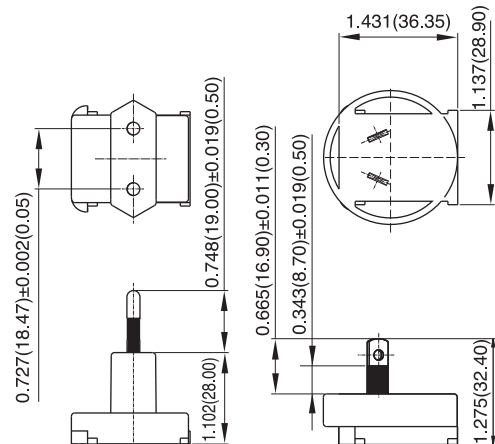
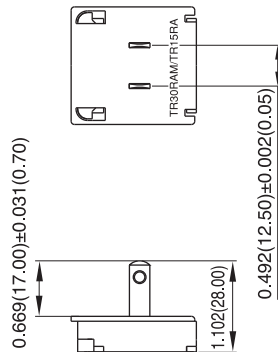
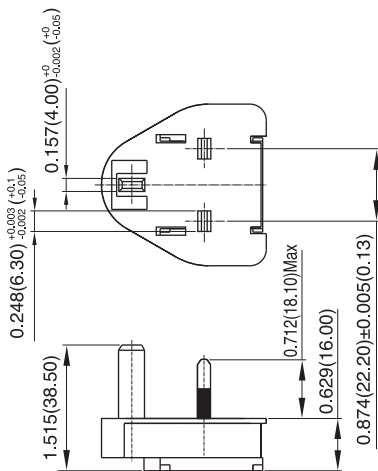
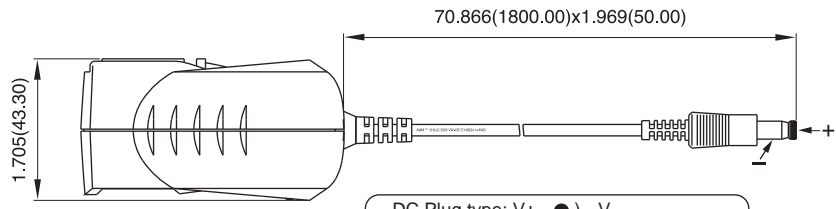
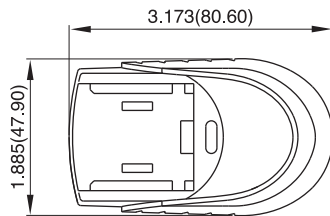
- Voltage setpoint at 60% load.
- Add a 0.1uF ceramic capacitor and a 10uF E.L. capacitor to output for Ripple & Noise measuring @20MHz BW.
- Line regulation measured from 100Vac to 240Vac , full load.
- Load regulation measured from 60% to full load and from 60% to 20% load (60% +/- 40% load)
- *Various TR Series adapters are PSE certified. PSE certification alone is not sufficient for importation into Japan. A valid PSE mark must contain the name of the importer as shown in the example below. If PSE mark is required, the name of the registered importer must be supplied to Cincon on order placement. Product labels will not contain PSE mark if importer name is not supplied. Consult factory or local representative for details*



TR15RA

Mechanical Specification

All Dimensions In Inches(mm)
 Tolerance Inches: x.xxx= ±0.02
 Millimeters: x.xx= ±0.5



Typical at 25°C, nominal line and 75% load, unless otherwise Specified