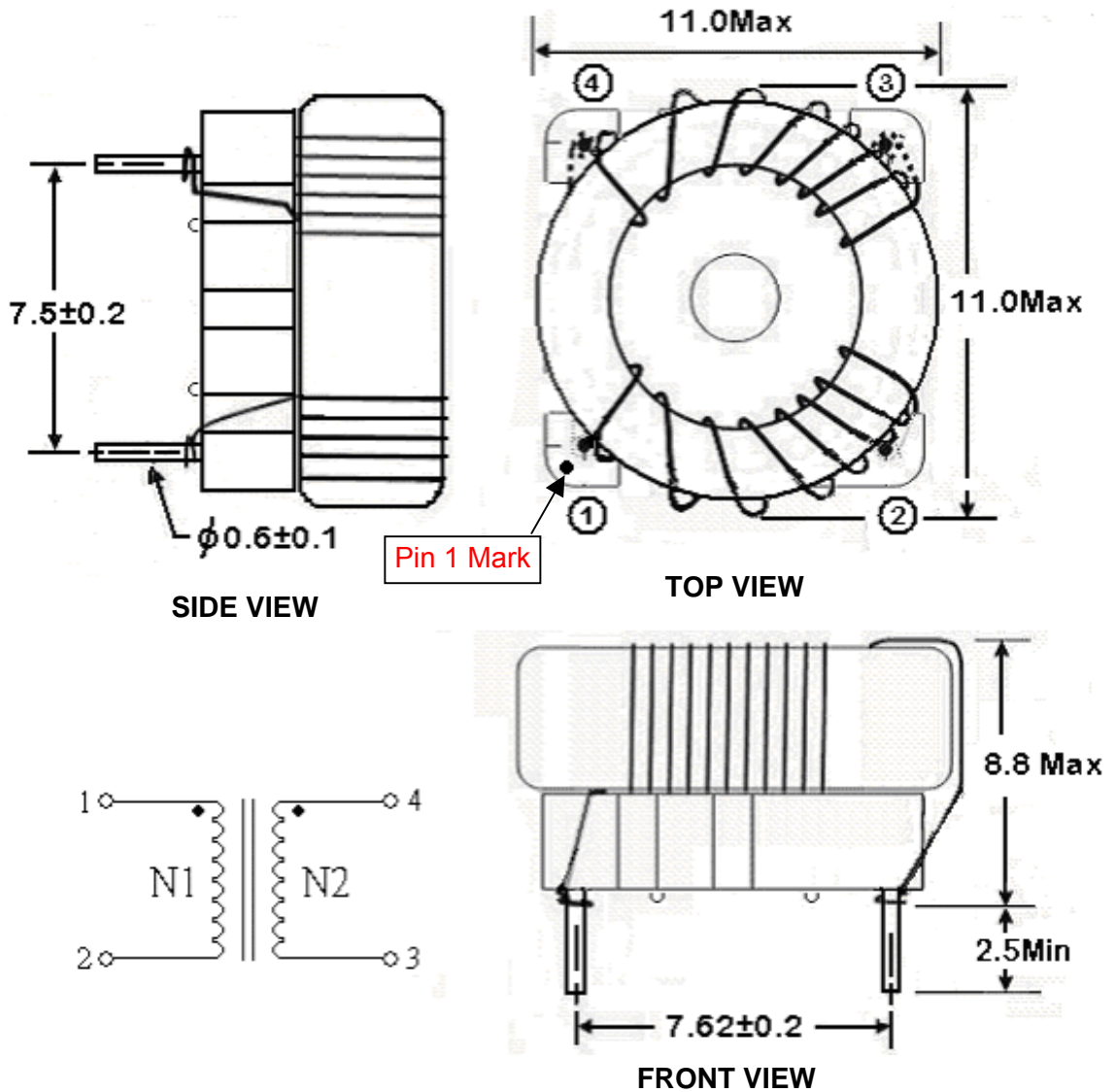


## TCK-076



All dimensions in mm

### SPECIFICATIONS

Inductance	Pin 1-2: $55.23 \mu\text{H} \pm 35\%$ Pin 3-4: $55.23 \mu\text{H} \pm 35\%$
	Test Condition: 100KHz/100mv Measurement Instrument: HP 4263B LCR Meter
Impedance	DCR (Max): 7m $\Omega$
	Measurement Instrument: HIOKI 3540 m $\Omega$ HITESTER
Rated Current	IDC (Max): 4A
	Measurement Instrument: Agilent 34401A Meter
Recommended Through Hole	$\phi 0.8$ mm