

Features :

- True sine wave output (THD<3%@rated Vdc,Linear load)
- Power ON-OFF remote control
- Input & output fully isolation
- Load and thermo control cooling fan
- Output frequency 50/60 Hz switch selectable
- Output voltage / power saving mode selectable
- Input Protections: UVP / OVP
- Output Protections:SCP/OLP/OTP/OVP
- Low power saving mode <1W
- Tri-color indicators display status
- FCC class B approved
- Advanced microprocessor



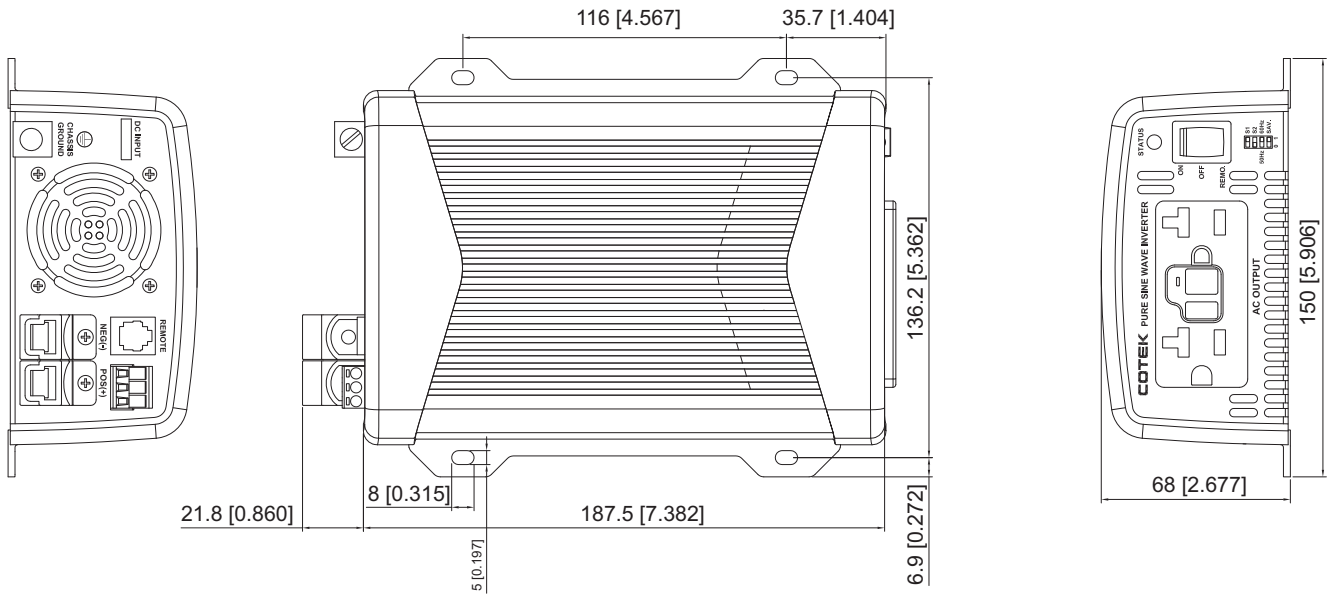
MODEL		SE350-112	SE350-124	SE350-148	SE350-212	SE350-224	SE350-248
Output	AC Voltage	100 /110 / 115 / 120 Vac ±5%			200 / 220 / 230 / 240 Vac±5%		
	Rated Power	350W					
	Surge Power	700W					
	Waveform	Ture sine wave (THD<3% @ rated Vac linear load)					
	Frequency	50 / 60 Hz ± 0.1%					
Input	DC Voltage	12Vdc	24Vdc	48Vdc	12Vdc	24Vdc	48Vdc
	Voltage Range	10.0~15.5Vdc	20.0~31.0Vdc	40.0~62.0Vdc	10.0~15.5Vdc	20.0~31.0Vdc	40.0~62.0Vdc
	Efficiency (@rated Vdc.full load)	86%	87%	88%	87%	89%	90%
	No load power consumption	@12Vdc	@24Vdc	@48Vdc	@12Vdc	@24Vdc	@48Vdc
	On mode @ save mode	90 mA(min.)	60 mA(min.)	40 mA(min.)	90 mA(min.)	60 mA(min.)	40 mA(min.)
	On mode @ no load mode	< 0.65A	< 0.32A	< 0.16A	< 0.9A	< 0.5A	< 0.25A
Protection	Shut down voltage low battery	10V ± 0.25V	20V ± 0.5V	40V ± 1V	10V ± 0.25V	20V ± 0.5V	40V ± 1V
	Voltage low battery	10.5V ± 0.25V	21V ± 0.5V	42V ± 1V	10.5V ± 0.25V	21V ± 0.5V	42V ± 1V
	Restart voltage low battery	12V ± 0.25V	24V ± 0.5V	48V ± 1V	12V ± 0.25V	24V ± 0.5V	48V ± 1V
	Voltage high battery	15V ± 0.25V	30V ± 0.5V	60V ± 1V	15V ± 0.25V	30V ± 0.5V	60V ± 1V
	Shut down voltage high battery	15.5V ± 0.25V	31V ± 0.5V	62V ± 1V	15.5V ± 0.25V	31V ± 0.5V	62V ± 1V
	Restart voltage high battery	14.5V ± 0.25V	29V ± 0.5V	58V ± 1V	14.5V ± 0.25V	29V ± 0.5V	58V ± 1V
	Protections	Overload , short circuit , DC over / under voltage , over Temperature					
	Reversed polarity protection	No , may lead to permanent damage					
Environment	Operating Temp.	-20°C ~ +40°C					
	Storage Temp.	-30°C ~ +70°C					
	Working Humidity	Max. 90% , non-condensing					
Safety & EMC	Safety Standards	EN55022:2006+A1:2007 Class B EN61000-3-2:2006 Class A,EN61000-3-3:2008 IEC61000-4-2,3,4,5,6,8,11;EN55024				EN60950-1:2005 Second Edition	
		—					
Others	Dimension (L*W*H)(mm)	187.5x150x68 mm (7.382x5.906x2.677 inch)					
	Packing	—					
	Cooling	Loading(53±5%) or temperature(55±5°C) controlled cooling fan					
	Weight	1.33KG			1.21 KG		
	Power Saving	With the dip switch in position 4 is on, power saving mode is active after 25 seconds when the load is below 20W.					

LED Status

Status	LED Signal
Power on	
Normal	
Saving mode	
O/P over load (100%~115%)	
O/P short circuit	
Over temperature	
Shut down high battery	
High battery	
Low battery	
Shut down low battery	

Mechanical Specification

unit : mm / [inch]



Output socket (option)

