



- Ultra High Efficiency (Up to 87%)
- Active Power Factor Correction
- Constant Output Voltage
- Up to 305VAC Operation
- Waterproof to IP67
- Comprehensive Protection Circuitry
- Approved to UL8750 & EN61347
- RoHS Compliant
- 3 Year Warranty

### Electrical Specifications

#### Input

Input Voltage	90-305VAC
Input Frequency	47-63 Hz
Input Current	0.49A @ 110VAC 0.25A @ 220VAC
Inrush Current	20A @ 230VAC/25°C/Cold Start
Power Factor	See table
No Load Input Power	≤3W

#### General

Efficiency	See tables
Isolation	3kVAC input to output 1.5kVAC input to ground 0.5kVAC output to ground 541kHrs @110VAC, 12VDC model, 80% load, 25°C
MTBF (MIL-HDBK-217F)	6.77"L x 1.36"W x 1.67"H
Dimensions	1.06 lbs.
Net Weight	

#### Output

Output Voltage	See table
Initial Set Accuracy	±10%
Minimum Load	No minimum load required
Start Up Delay	2 seconds max @110VAC
Hold Up Time	≥10mS @ 120VAC, full load
Line Regulation	±3%
Load Regulation	±10%
Ripple & Noise	10% pk-pk, 20MHz bandwidth
Overvoltage Protection	Hiccup mode; auto-recover when fault removed
Overcurrent Protection	Hiccup mode; auto-recover when fault removed
Short Circuit Protection	No damage to unit; auto recovery when fault removed
Temperature Coefficient	<0.03%/°C

#### Environmental

Operating Temp.	-35°C to +70°C, (see derating curve)
Operating Humidity	10% to 100% RH, non-condensing
Storage Temperature	-40°C to +85°C

#### Safety & EMC

Safety Approvals USA	UL8750 Approved Compliance to UL1310 Class 2, UL1012, UL935
Canada	Compliance to CAN/CSA-C22.2 No. 0 CSA-C22.2 No. 107.1, CSA-C22.2 No. 250.0 EN61347-1
Europe	EN55015 (Radiated & Conducted)
EMI	EN61000-3-2 Class C
Harmonic Currents	EN61000-3-3
Voltage Flicker	EN61000-4-2; 8kV air; 4kV contact
ESD Immunity	EN61000-4-3 Level 2
Radiated Immunity	EN61000-4-4 Level 2
EFT/Burst	EN61000-4-5; 2kV line-line; 4kV line-earth
Surge	EN61000-4-6
Conducted Immunity	EN61000-4-8
Magnetic Field	EN61000-4-8
Dips / Interruptions	EN61000-4-11

Note: All specifications typical at 25°C unless noted.

Your Partners in Power.....

Specifications subject to change.  
PIL35U-V: 02/08/2010



Distributed by: Power Sources Unlimited, Inc., Wrentham, MA  
Tel: 508-384-1419 | E-mail: sales@psui.com | Website: www.psui.com



### Models and Ratings Chart

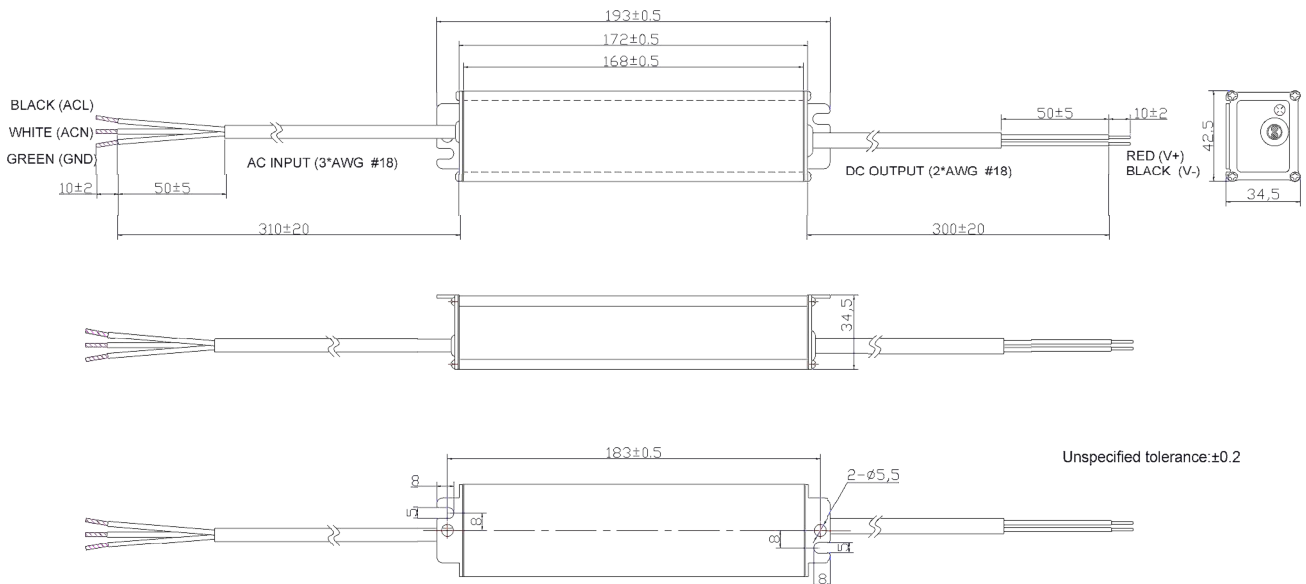
Nominal Output Voltage	Output Voltage Range (Note 3)	Max. Output Current	Max. Output Power	Typical Efficiency (Note 1)	Power Factor		Model Number (Note 2)
					110VAC	220VAC	
12VDC	10.8 - 13.2VDC	2.90A	35W	82%	0.99	0.92	<b>PIL35U-V12</b>
18VDC	16.2 - 19.8VDC	1.90A	35W	83%	0.99	0.92	<b>PIL35U-V18</b>
24VDC	21.6 - 26.4VDC	1.46A	35W	85%	0.99	0.92	<b>PIL35U-V24</b>
36VDC	32.4 - 39.6VDC	0.97A	35W	86%	0.99	0.92	<b>PIL35U-V36</b>
48VDC	43.2 - 52.8VDC	0.73A	35W	86%	0.99	0.92	<b>PIL35U-V48</b>

Note 1: Measured at 220VAC input and full load.

Note 2: Additional suffix may be included to denote variations or modifications to the base product.

Note 3: Voltage factory set to nominal, unless otherwise specified.

### Mechanical Outline Drawing



Your Partners in Power.....

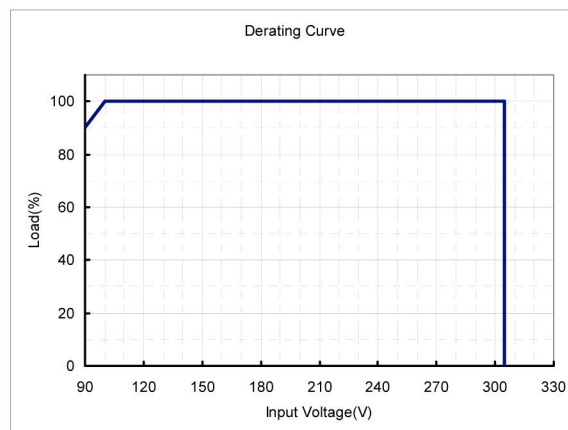
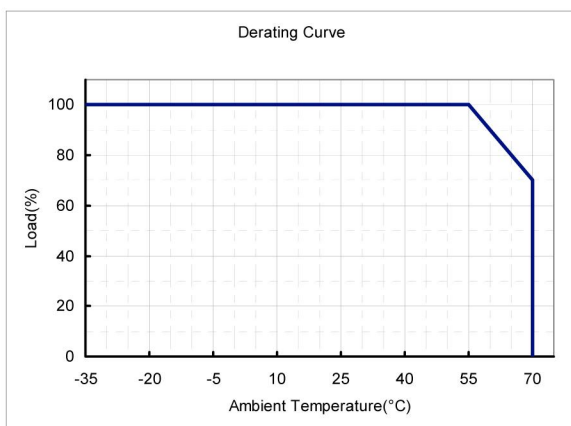


Distributed by: Power Sources Unlimited, Inc., Wrentham, MA  
Tel: 508-384-1419 | E-mail: sales@psui.com | Website: www.psui.com

Specifications subject to change.  
PIL35U-V: 02/08/2010



### Derating Curve



*Your Partners in Power.....*



Distributed by: Power Sources Unlimited, Inc., Wrentham, MA  
Tel: 508-384-1419 | E-mail: sales@psui.com | Website: www.psui.com

Specifications subject to change.  
PIL35U-V: 02/08/2010