



- Ultra High Efficiency (Up to 93%)
- High Power Factor Correction
- Constant Output Voltage
- Up to 305VAC Operation
- Waterproof to IP67
- Lightning Protection
- Comprehensive Protection Circuitry
- UL8750 Approved/EN61347 Compliant
- RoHS Compliant
- 3 Year Warranty

### Electrical Specifications

#### Input

Input Voltage	90-305VAC
Input Frequency	47-63 Hz
Input Current	2.3A @ 110VAC 1.1A @ 220VAC
Inrush Current	65A @ 230VAC/25°C/Cold Start
Power Factor	See table
Leakage Current	260µA @ 120VAC 550µA @ 240VAC
No Load Input Power	≤2W

#### Output

Output Voltage	See table
Initial Set Accuracy	±5%
Minimum Load	No minimum load required
Start Up Delay	1 second max @ 110VAC
Hold Up Time	≥10mS @ 110VAC, full load
Line Regulation	±1%
Load Regulation	±2%
Transient Response	±5% max. deviation, recovery to within spec in 10ms for a 50% step load change at a 1A/µs slew rate
Ripple & Noise	2% pk-pk, 20MHz bandwidth
Overvoltage Protection	Latch mode; power on to return to normal operation
Overload Protection	Hiccup mode; auto restart when fault removed
Short Circuit Protection	No damage to unit; auto recovery when fault removed
Overtemperature Protection	120°C maximum internal component temperature
Temperature Coefficient	<0.03%/°C

Note: All specifications typical at 25°C unless noted.

#### General

Efficiency	See tables
Isolation	3kVAC input to output 1.8kVAC input to ground 0.5kVAC output to ground 247kHrs @ 110VAC input 54VDC output, 80, 25°C
MTBF (MIL-HDBK-217F)	7.83"L x 2.66"W x 1.57"H 2.20 lbs.
Dimensions	
Net Weight	

#### Environmental

Operating Temp.	-35°C to +70°C maximum
Operating Humidity	10% to 100% RH, non-condensing
Storage Temperature	-40°C to +85°C
Operating Altitude	10K feet
Shock	30G

#### Safety & EMC

Safety Approvals	UL8750 Approved
USA	Compliance to UL1012, UL935
Canada	Compliance to CAN/CSA-C22.2 No. 0 CSA-C22.2 No. 107.1, CSA-C22.2 No. 250.0
Europe	EN61347-1 Compliant
EMI	EN55015 (Radiated & Conducted)
Harmonic Currents	EN61000-3-2 Class C
Voltage Flicker	EN61000-3-3
ESD Immunity	EN61000-4-2; 8kV air; 4kV contact
Radiated Immunity	EN61000-4-3 Level 2
EFT/Burst	EN61000-4-4 Level 2
Surge	EN61000-4-5; 2kV line-line; 4kV line-earth
Magnetic Field	EN61000-4-8
Conducted Immunity	EN61000-4-6
Dips / Interruptions	EN61000-4-11

Your Partners in Power.....



Distributed by: Power Sources Unlimited, Inc., Wrentham, MA  
Tel: 508-384-1419 | E-mail: sales@psui.com | Website: www.psui.com

Specifications subject to change.  
PIL200U-V: 01/21/2010



### Models and Ratings Chart

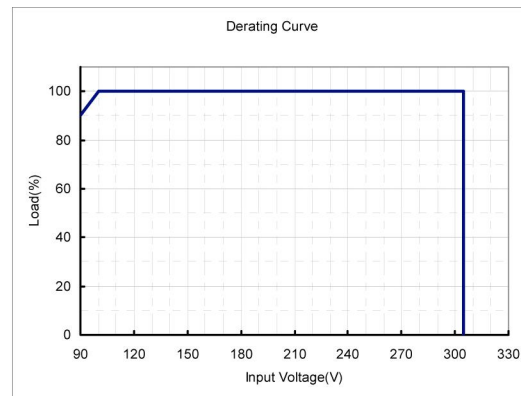
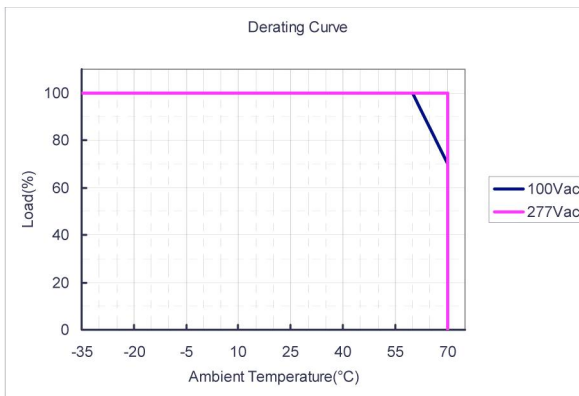
Nominal Output Voltage	Output Voltage Range (Note 3)	Max. Output Current	Max. Output Power	Typical Efficiency (Note 1)	Power Factor		Model Number (Note 2)
					110VAC	220VAC	
12VDC	11.4 - 12.6VDC	15.0A	200W	91.0%	0.99	0.97	<b>PIL200U-V12</b>
24VDC	22.8 - 25.2VDC	8.33A	200W	92.0%	0.99	0.97	<b>PIL200U-V24</b>
36VDC	34.2 - 37.8VDC	5.56A	200W	92.5%	0.99	0.97	<b>PIL200U-V36</b>
42VDC	39.9 - 44.1VDC	4.76A	200W	92.5%	0.99	0.97	<b>PIL200U-V42</b>
48VDC	45.6 - 50.4VDC	4.17A	200W	92.5%	0.99	0.97	<b>PIL200U-V48</b>
50VDC	47.5 - 52.5VDC	4.00A	200W	92.5%	0.99	0.97	<b>PIL200U-V50</b>
52VDC	49.4 - 54.6VDC	3.84A	200W	93.0%	0.99	0.97	<b>PIL200U-V52</b>
54VDC	51.3 - 56.7VDC	3.70A	200W	93.0%	0.99	0.97	<b>PIL200U-V54</b>
81VDC	76.95 - 85.05VDC	2.47A	200W	93.0%	0.99	0.97	<b>PIL200U-V81</b>
105VDC	99.75 - 110.25VDC	1.90A	200W	93.0%	0.99	0.97	<b>PIL200U-V105</b>

Note 1: Measured at 220VAC input and full load.

Note 2: Additional suffix may be included to denote variations or modifications to the base product.

Note 3: Voltage factory set to nominal, unless otherwise specified.

### Derating Curve



Your Partners in Power.....

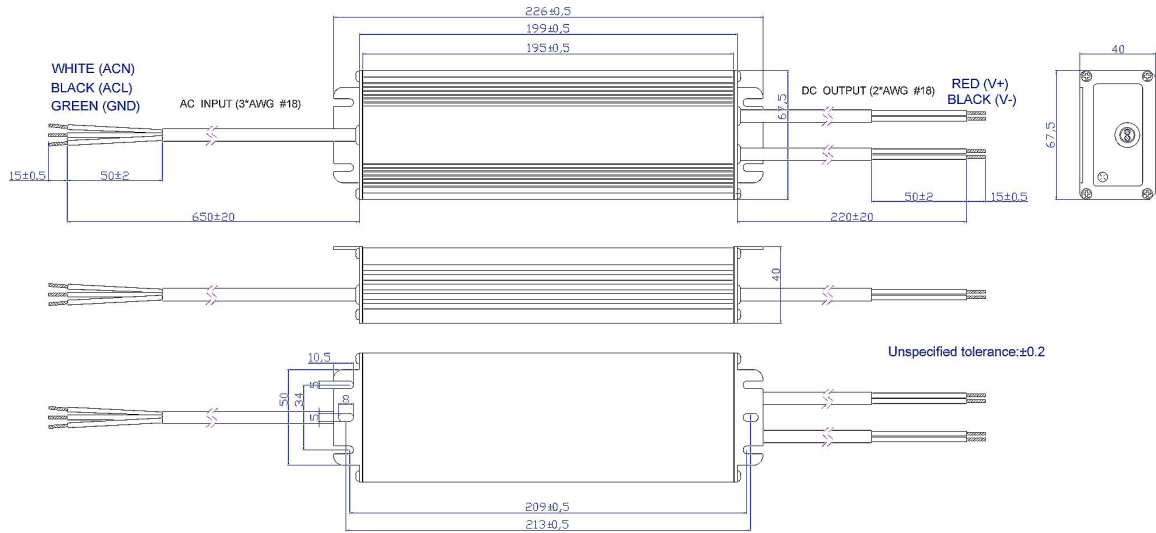


Distributed by: Power Sources Unlimited, Inc., Wrentham, MA  
Tel: 508-384-1419 | E-mail: sales@psui.com | Website: www.psui.com

Specifications subject to change.  
PIL200U-V: 01/21/2010

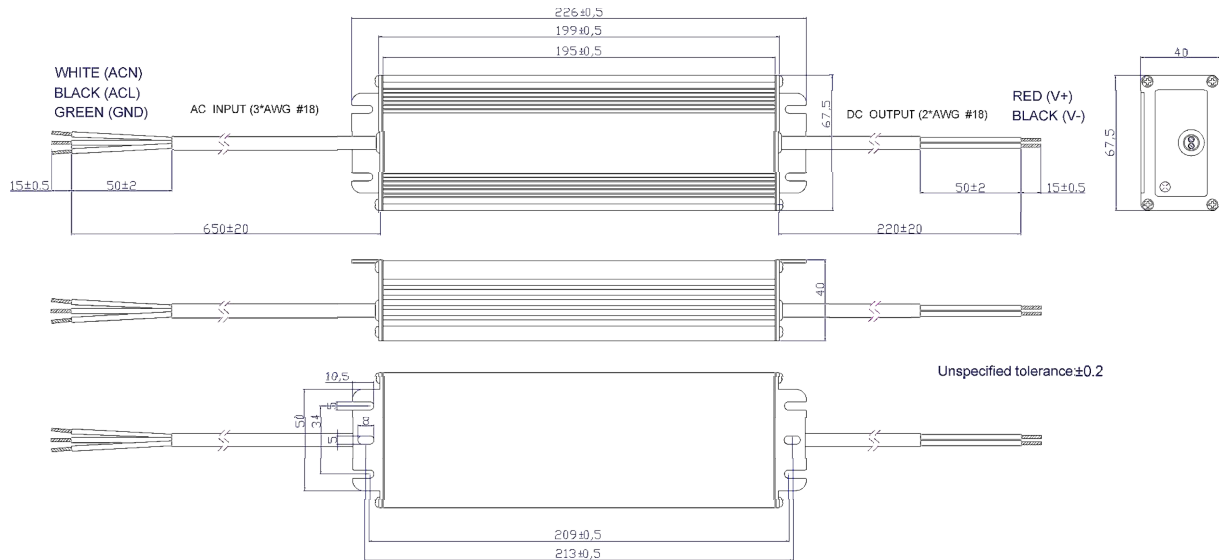


### Mechanical Outline Drawing (PIL200U-V12 model only)



Note: The two DC output cables are connected in parallel within the power supply. Each #18AWG wire can carry 10A maximum. Both red wires and both black wires should be connected in the application.

### Mechanical Outline Drawing (All models except PIL200U-V12)



Your Partners in Power.....

Power Partners, Inc. | 43 Broad Street | Hudson, MA 01749  
 Tel: (978)567-9610 | Fax: (978)567-9601  
 Website: [www.powerpartners-inc.com](http://www.powerpartners-inc.com)

Specifications subject to change.  
 PIL200U-V: 01/21/2010