

# LED Power Supply

# Product Specifications

ANZ#: Z157, August 6, 2009

LP1240-XX-YZ-E Series Switch-Mode LED Driver	
Total Power	240 Watts
Input Voltages	90-264 VAC
Number of Outputs	Single

## SPECIAL FEATURES      ELECTRICAL SPECIFICATIONS

- Single output 240W
- In compliance to EN61000-3-2, -3-3 Class D
- Low Inrush Current maximize number of hookup
- Incompliance to NEMA3, IP66 standards
- Suitable for damp or dry locations
- Suitable for wet location when use adequate connectors
- Aluminum extrusion enclosure with special designed junction box built-in
- OCP, OVP, OPP and SCP – shut down  
OTP – Auto-recovery

Input range	90 to 264 VAC, Full range
Frequency	47 to 63 Hz
Power Factor	> 0.95 at full load, 115VAC
Inrush current	5.0 Amps maximum at 115VAC, cold start, 25° C
Input current	3.0Amps maximum at 115VAC
Efficiency	85% typical at 230VAC and maximum load
EMI filtering	47CFR, Part 2, Part 15 and Cispr PUB, 22 Class A
Maximum power	240W total
Line Regulation	1%
Load Regulation	±3%
Ripple Noise	3% typ.
Leakage Current	2mA @ 110VAC, 4mA @ 230VAC
Hold up time	Half cycle minimum at 120 VAC and 80% of rated load
Protection	Over-voltage, Over-current, Over-temp. and Short circuit protection

## ENVIRONMENTAL

Operating temperature:	-30 to 70 °C (De-rating : 2.5% per °C from 50°C~70°C)
Storage temperature:	-40 to 85 °C
Humidity (Non-Condensing):	5% to 95%
Cooling:	Convection
Vibration Frequency:	5 to 50 Hz
MTBF:	>100,000 Hours at full load and 25°C ambient conditions (MIL-217F)
EMC :	Compliant to 47CFR, Part 2, Part15 and Cispr PUB, 22 Class B

## SAFETY

UL/cUL	UL1012 Recognized
CE	Certified

Model #	DC Output		Total Output (Watts)
	Output Current (A)	Output Voltage (V)	
LP1240-12-YZ	0.2 ~ 20.0	12V, ± 3%	240
LP1240-24-YZ	0.1~ 10.0	24V, ± 3%	240
LP1240-48-YZ	0.1 ~ 5.0	48V, ± 3%	240

## MECHANICAL DRAWING

### Model Information – Single DC output

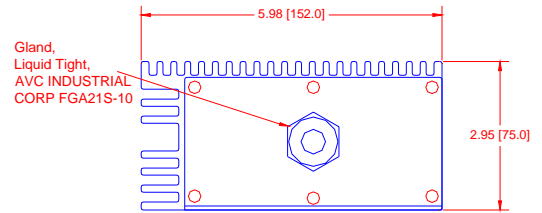
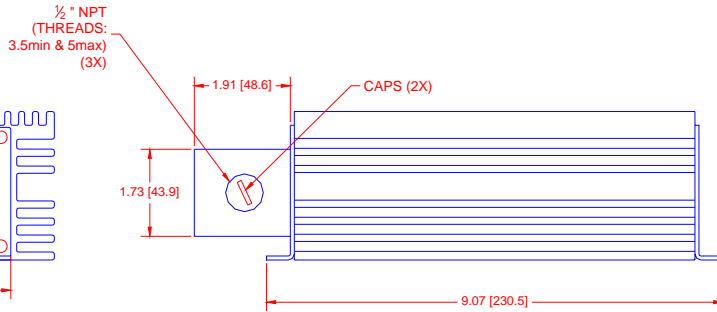
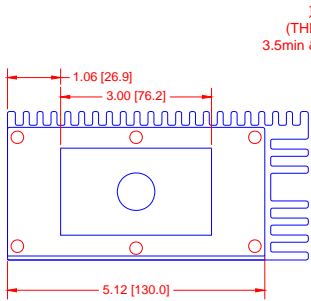
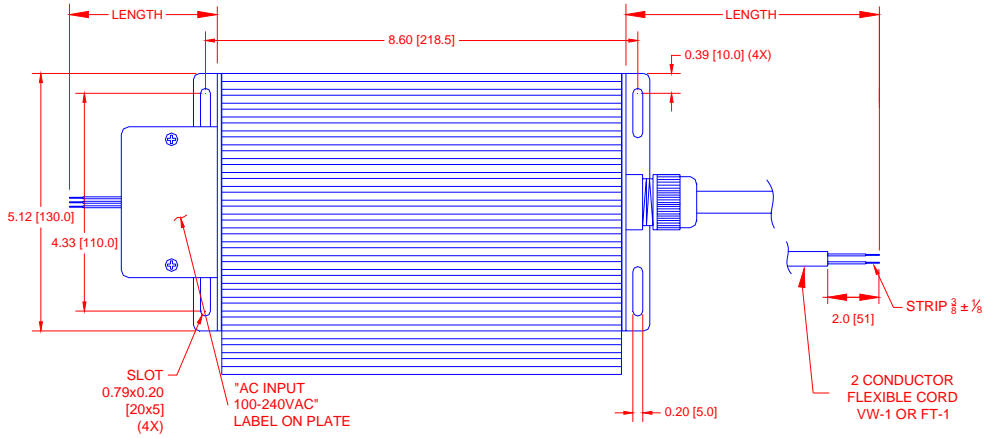
- LP1240-XX-YZ**  
 XX – DC outputs  
 Y – AC input connector (J – Junction Box)  
 Z – DC output connector (G – Gland, T – Terminal Block or J – Junction Box)



Distributed by: Power Sources Unlimited, Inc., Wrentham, MA Tel: 508-384-1419 | E-mail: sales@psui.com | Website: www.psui.com

# MECHANICAL DRAWING ( PRELIMINARY )

CON	PIN	COLOR	OUTPUT	AWG	LENGTH
AC IN	---	BLACK	LINE	18	6.9 [175] ±0.8 [±20]
	---	WHITE	NEUTRAL	18	
	---	GRN/YEL	AC GND	18	
DC OUT	---	WHITE	+V	14	12.0 [305]
	---	BLACK	GND	14	±1 [±25]



Distributed by: Power Sources Unlimited, Inc., Wrentham, MA Tel: 508-384-1419 | E-mail: sales@psui.com | Website: www.psui.com