

B12R58 Series

High Power Constant Current LED Driver

Total Power	16 Watts max.
Input Voltages	110VAC or 220VAC
Number of Outputs	One

SPECIAL FEATURES

- Compact size maximizes design flexibility.
- 2.28 (Φ) x 1.26 (H)
- Fully potted, suitable for dry location applications
- Phase dimmable with Electronics Low Voltage Dimmer or Preprogrammed 4 steps dimming
- UL8750 Class 2 and CE certified
- Wide selection of pre-adjusted C/C outputs

ENVIRONMENTAL

Operating temperature:	-30 to +60 °C
Storage temperature:	-40 to +85 °C
Humidity (Non-Condensing):	5% to 95%
Cooling:	Convection
Vibration Frequency:	5 to 50 Hz
MTBF:	>100,000 Hours at full load and 25°C ambient conditions (MIL-217F)

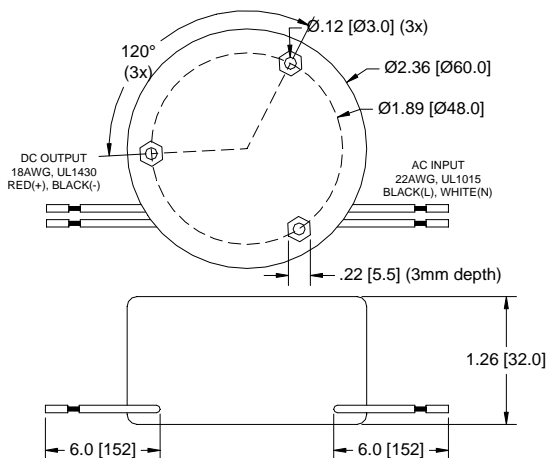
SPECIFICATIONS :

Input Range : 110VAC or 220VAC / 0.3~0.15A /47~63Hz	Power Factor: > 0.92 at full load, 115VAC
DC Output Range : Refer to Model selection table	Operation Temp. : -40°C ~ +50°C , Tc : 70 °C
Efficiency : 82% Typical	Storage Temp. : -40°C ~ +85°C
Output Current Regulation : ±5%	MTBF(@25°C) : >100,000 Hours, MIL-217F
Protection : OCP, SCP, OVP – Auto Recovery	Regulation Compliance: UL8750, EN61347, EN55015, EN61547
Dimming : Phase dimmer or Pre-programmed 4 steps dimming	Dimension: 2.28 (Φ) x 1.26 (H)

MODEL SELECTION :

Model Number	DC Output (Vf)	Max. Current Output (mA)	Max. Output (Watts)
B12R58-112-C1300	8 – 12 VDC	1300	15.6
B12R58-212-C1300	8 – 12 VDC	1300	15.6
B12R58-116-C1000	8 – 16 VDC	1000	16.8
B12R58-124-C0700	13 – 28 VDC	700	16.8
B12R58-224-C0700	13 – 28 VDC	700	16.8
B12R58-152-C0350	24 – 52 VDC	350	16.8
B12R58-252-C0350	24 – 52 VDC	350	16.8

MECHANICAL



Product Specifications

ANZ#: Z159, September 8, 2009



Picture shown above is not to scale

MODEL SELECTION : B12eee-yxx-Cnnnn-dddd

eee = R58 as the diameter of the case

y = 1 (110VAC) or 2 (220VAC) input voltage

xx = 12, 16, 24 or 52 VDC (Forward Voltage)

Cnnnn = Output Constant Current (mA)

dddd = (optional) specify step dimming features

1631 = T1: 100%, T2: 65%, T3: 35%, T4: 10% output current (on/off timing 1.5 Sec.)

1752 = T1: 100%, T2: 75%, T3: 50%, T4: 25% output current (on/off timing 1.5 Sec.)

